

# record swing door operator DFA 830

## reliable and safe



record DFA 830 swing door operator is the perfect choice where reliable performance and superior safety together with an appealing slim look is of extra importance.

record automated door systems are sustainable by nature and automatically convenient as they ensure opening only when needed to pass, eliminating unnecessary air infiltration and keeping climate zones separate. The innovative electronics in the record DFA 830 ensure minimal energy consumption for optimal door performance.

The record DFA 830 is safe to use for all, despite age and physical ability. In case of an obstruction by a person or object, the obstruction control ensures stop on stall and reverse operation. Furthermore, the record DFA 830 swing door operator is fully compliant with European standards and fire approved, making it ideal for creating and maintaining security, smoke and fire zones.

An entrance equipped with a record DFA 830 operator is always accessible due to battery back-up. The record DFA 830 also monitors the battery for power and function, and gives an electronic indication if it is not working properly and needs to

be replaced.

The operator is truly reliable during all weather conditions as it is not affected by stack pressure and wind load when opening and/or closing. Also, for your convenience, safety and quick exit, the record DFA 830 can easily be manually opened, despite extended closing torque, due to sensor detection ensuring lowest manual opening force.

In addition to the standard version, there is a Double Acting (DA) function with possibility for manual opening in both directions with automatic reset.

## Technical data

Basic data		
Recommended max. door weight and door width		Inertia J = Door Weight x (door width) <sup>2</sup> /3 PUSH = 140 kg m <sup>2</sup> PULL = 80 kg m <sup>2</sup>
Dimensions		
Operator	(D x H x L)	148 x 70 x 840 mm

# record swing door operator DFA 830

## Technical specification

### Electrical connection data

Drive connection data	
Power supply	100 – 240 VAC +10/-15%, 50/60 Hz, mains fuse max 10A (building installation)
Power consumption	Max 300 W
Auxilliary voltage	24 V DC, max 700 mA
Monitored battery backup unit	24 V DC
Electromechanical locking connection	12 V DC, max 1200 mA or 24 V DC, max 600 mA

### Environmental conditions

Basic data	
Ambient temperature	-20 ° to +45 °C
Relative humidity (non condensing)	95%
Class of protection	IP20 - To be installed internally or externally with suitable weather protection

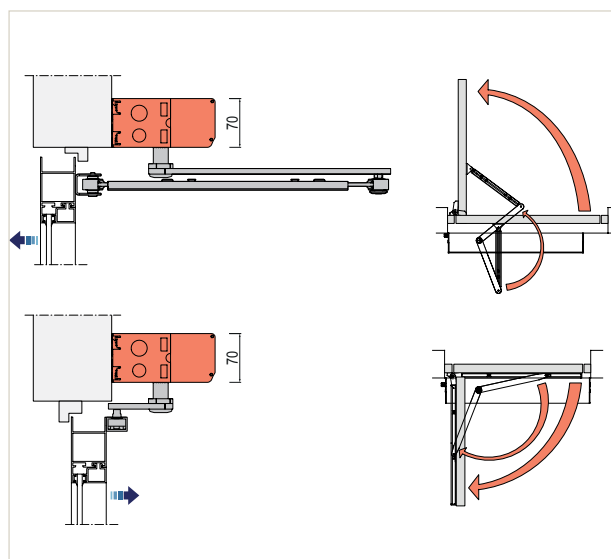
### Standard equipment, accessories and options

#### Standard equipment

- Cover – Silver anodized aluminium, other paint finishes optional
- Control unit CU-300 with EXU-SI and EXU-SA included; with possibility to connect manual and automatic activation units, position switches, el. locks, presence sensors, battery, kill, open/close etc.
- Push and go
- Power assist

record DFA 830's intelligent locking features are designed for your peace of mind. For example, double doors are precisely controlled to prevent jamming and increase security. record DFA 830 operator can also sense when the door has not closed completely and will prompt the door to open again and close fully, even under heavy wind load and stack pressure.

The 70 mm slim record DFA 830 swing door requires a minimum of space while providing maximum performance. Furthermore, the door system operates impressively silent despite its amazing capability to handle heavy doors up to 250 kg. record DFA 830 can be retrofitted with existing doors and thereby keeping the overall door system design and environment aesthetically intact.



# record swing door operator DFA 830



## Options

### Accessories and options

- Programme selectors
- Sync cable - Used on double doors to select the opening and closing order
- Battery backup unit
- Coordination unit
- Manual and automatic activation units
- Impulse and presence detection sensors
- Fire kit
- Arm systems PUSH and PULL
- Finger trap protection devices
- Double acting kits

## Certification

### Conformity to standards

EN 16 005, EN 60335-2-103, EC 60335-1, EC 60335-2-103, EN 1634-1, EN 1158 (Push 4-7, Pull 4-6),  
DIN 18263-4 (Push 4-7, Pull 4-6), EN 1154 (Push 4-7, Pull 4-6), EN 1155 (Push 4-7, Pull 4-6)

Specifications same as the ASSA ABLOY SW300

Documents and CAD drawings are available on the website.  
[www.record.group/countries](http://www.record.group/countries)

